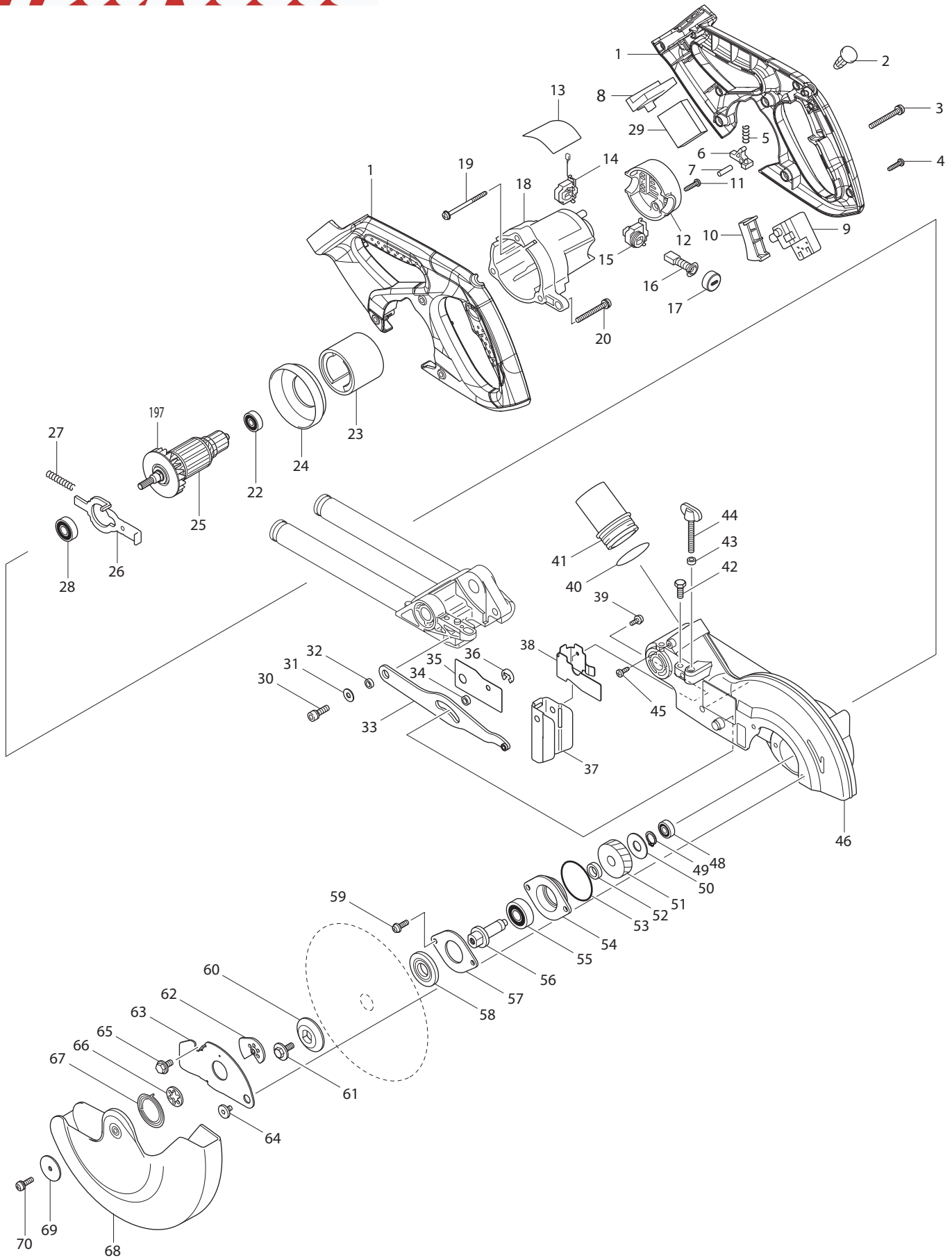
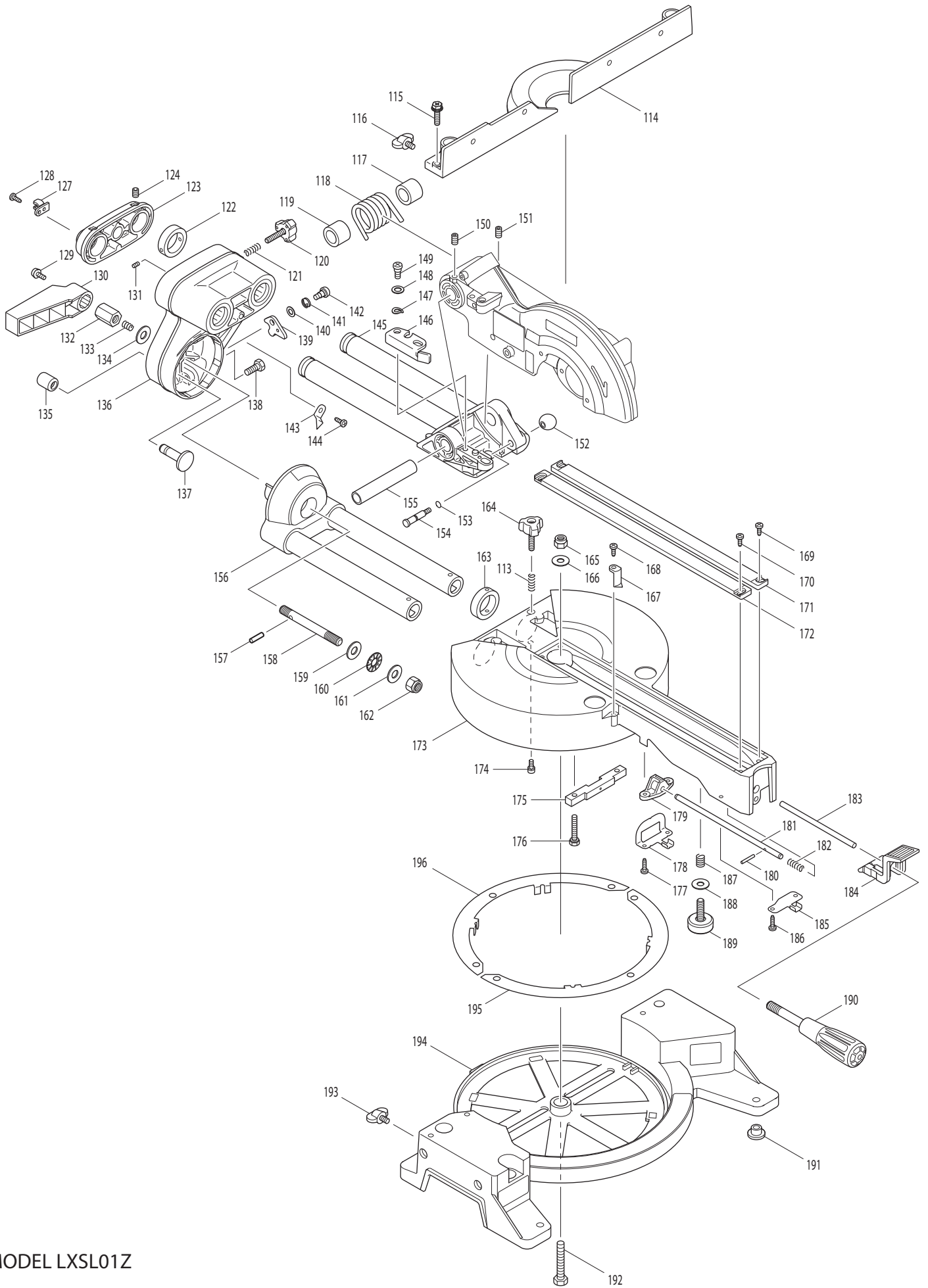




10 - 2010
LXSL01Z
18V 7-1/2" SLIDING MITRE SAW





Item No	Type	Ref	Part No	Description	Qty	Unit
1			188961-5	HANDLE SET	1	SET
2			417113-4	SWITCH BUTTON	1	PC.
3			911268-2	PAN HEAD SCREW M5X45	3	PC.
4			265995-6	TAPPING SCREW 4X18	5	PC.
5			231026-3	COMPRESSION SPRING 4	1	PC.
6			416533-9	LOCK OFF LEVER	1	PC.
7			256123-4	PIN 5	1	PC.
8			643859-8	TERMINAL	1	PC.
9			651956-6	SWITCH TG72BD	1	PC.
10			452130-7	SWITCH LEVER	1	PC.
11			265995-6	TAPPING SCREW 4X18	2	PC.
12			416639-3	REAR COVER	1	PC.
13			868775-5	LXSL01 NAME PLATE	1	PC.
14			643939-0	BRUSH HOLDER	1	PC.
15			643966-7	BRUSH HOLDER	1	PC.
16			195022-4	CARBON BRUSH CB-441, 2PCS/SET, W/ORIGIN	1	SET
17			643941-3	BRUSH HOLDER CAP	2	PC.
18			416909-0	MOTOR HOUSING	1	PC.
19			266209-6	TAPPING SCREW 4X60	2	PC.
20			911268-2	PAN HEAD SCREW M5X45	3	PC.
22			210023-2	BALL BEARING 627DDW	1	PC.
23			632828-4	YOKE UNIT	1	PC.
24			416907-4	BAFFLE PLATE	1	PC.
25			519269-0	ARMATURE ASS'Y 18V	1	PC.
		INC.		Item No 22,28,197		
26			344681-3	SHAFT LOCK	1	PC.
27			233092-6	COMPRESSION SPRING 5	1	PC.
28			211088-7	BALL BEARING 6000DDW	1	PC.
29			631999-4	CONTROLLER	1	PC.
30			922331-6	HEX. SOCKET HEAD BOLT M6X20	1	PC.
31			253804-1	FLAT WASHER 6	1	PC.
32			257163-5	RING 6	1	PC.
33			154643-1	LINK PLATE COMPLETE	1	PC.
34			257163-5	RING 6	1	PC.
35			346330-8	LINK COVER	1	PC.
36			961018-5	STOP RING E-5	1	PC.
37			424045-8	GUARD	1	PC.
38			345438-5	GUARD PLATE	1	PC.
39			911113-1	PAN HEAD SCREW M4X10	1	PC.
40			213460-9	O RING 35	1	PC.
41			419277-0	DUST NOZZLE	1	PC.
42	1		265381-1	HEX. BOLT M6X16	1	PC.
	2		266757-5	HEX. BOLT M6X16	1	PC.
43			262001-8	URETHANE RING 5	1	PC.
44			265717-4	SCREW M6X43	1	PC.
45			266026-4	TAPPING SCREW BIND CT 4X12	1	PC.
46			140606-3	BLADE CASE COMPLETE	1	PC.
		INC.	263002-9	RUBBER PIN 4	1	PC.
		INC.	263005-3	RUBBER PIN 6	1	PC.
		INC.	891786-5	CAUTION LABEL	1	PC.
48			211021-9	BALL BEARING 607LLB	1	PC.

Item No	Type	Ref	Part No	Description	Qty	Unit
49			961052-5	RETAINING RING S-12	1	PC.
50			253813-0	FLAT WASHER 12	1	PC.
51			226512-7	HELICAL GEAR 60	1	PC.
52			257011-8	RING 12	1	PC.
53			213623-7	O RING 46	1	PC.
54			317193-9	BEARING BOX	1	PC.
55			211129-9	BALL BEARING 6201DDW	1	PC.
56			323798-5	SPINDLE	1	PC.
57			285694-4	BEARING RETAINER 58	1	PC.
58			224151-7	INNER FLANGE 40	1	PC.
59			911223-4	PAN HEAD SCREW M5X16	2	PC.
60			224275-9	OUTER FLANGE 40	1	PC.
61	1		265461-3	HEX.BOLT M6X18	1	PC.
	2		266733-9	HEX.BOLT M6X16	1	PC.
62			345585-2	CENTER PLATE	1	PC.
63			346232-8	CENTER COVER	1	PC.
64			265985-9	HEX.SOCKET HEAD BOLT M6	1	PC.
65	1		265473-6	HEX.BOLT M6X14	1	PC.
	2		266732-1	HEX.BOLT M6X16	1	PC.
66			345589-4	CENTER WASHER	1	PC.
67			231934-8	SPIRAL SPRING 26	1	PC.
68			419123-7	SAFETY COVER	1	PC.
69			267136-0	FLAT WASHER 5	1	PC.
70			911228-4	PAN HEAD SCREW M5X18	1	PC.
113			231325-3	COMPRESSION SPRING 6	1	PC.
114			318655-0	GUIDE FENCE	1	PC.
115	1		265593-6	HEX.BOLT M6X25	3	PC.
	2		922344-7	HEX.BOLT M6X25 WITH WG	3	PC.
116			251887-5	SCREW M6X10	1	PC.
117			416535-5	SLEEVE 17	1	PC.
118			231638-2	TORSION SPRING 28	1	PC.
119			416535-5	SLEEVE 17	1	PC.
120			265790-4	THUMB SCREW M6X28	1	PC.
121			231325-3	COMPRESSION SPRING 6	1	PC.
122			257214-4	RING 26	1	PC.
123			318651-8	PIPE HOLDER	1	PC.
124			266208-8	H.S.SET SCREW(CUP POINT)M6X8	2	PC.
127	1		416536-3	* WRENCH HOLDER	1	PC.
	2		687045-1	* CORD CLAMP	1	PC.
128			266026-4	TAPPING SCREW BIND CT 4X12	1	PC.
129			911113-1	PAN HEAD SCREW M4X10	1	PC.
130			416006-2	LEVER 100	1	PC.
131			913106-4	SET SCREW M4X8	1	PC.
132			252144-4	HEX. NUT M10-17	1	PC.
133			231266-3	COMPRESSION SPRING 5	1	PC.
134			253024-7	FLAT WASHER 10	1	PC.
135			286236-7	CAP 16	1	PC.
136			140609-7	ARM COMPLETE	1	PC.
		INC.	211376-2	LINEAR BALL BEARING 2560	2	PC.
		INC.	262077-5	FELT RING 25	4	PC.
		INC.	263005-3	RUBBER PIN 6	2	PC.
		INC.	344638-4	CAP 35	2	PC.

Item No	Type	Ref	Part No	Description	Qty	Unit
137			324295-4	RELEASE PIN	1	PC.
138	1		265381-1	HEX. BOLT M6X16	2	PC.
	2		266757-5	HEX. BOLT M6X16	2	PC.
139			345299-3	STOPPER PLATE	1	PC.
140			253726-5	FLAT WASHER 6	1	PC.
141			231663-3	TORSION SPRING 8	1	PC.
142			265113-6	+PAN HEAD SCREW M5	1	PC.
143			343678-9	POINTER	1	PC.
144			266026-4	TAPPING SCREW BIND CT 4X12	1	PC.
145			140608-9	FRONT ARM COMPLETE	1	PC.
146			344643-1	STOPPER ARM	1	PC.
147			253948-7	WAVE WASHER 8	1	PC.
148			253835-0	FLAT WASHER 8	1	PC.
149			251267-5	+ PAN HEAD SCREW M6	1	PC.
150			251961-9	H.S.SET SCREW(FLAT POINT)M6X10	1	PC.
151			251961-9	H.S.SET SCREW(FLAT POINT)M6X10	1	PC.
152			271601-3	KNOB 20	1	PC.
153			213021-5	O RING 5	1	PC.
154			324183-5	STOPPER PIN	1	PC.
155			331350-5	PIN 16-90	1	PC.
156			140610-2	ARM HOLDER COMPLETE	1	PC.
		INC.	816392-5	BEVEL SCALE LABEL	1	PC.
157			256123-4	PIN 5	1	PC.
158			266320-4	SCREW M10	1	PC.
159			253024-7	FLAT WASHER 10	1	PC.
160			216413-7	THRUST NEEDLE CAGE 1024	1	PC.
161			253024-7	FLAT WASHER 10	1	PC.
162			252130-5	HEX. LOCK NUT M10-17	1	PC.
163			257214-4	RING 26	1	PC.
164			265790-4	THUMB SCREW M6X28	1	PC.
165			252105-4	HEX. LOCK NUT M8-13	1	PC.
166			253731-2	FLAT WASHER 8	1	PC.
167			416355-7	INDICATION PLATE	1	PC.
168			266026-4	TAPPING SCREW BIND CT 4X12	1	PC.
169			266026-4	TAPPING SCREW BIND CT 4X12	2	PC.
170			266026-4	TAPPING SCREW BIND CT 4X12	2	PC.
171			419103-3	KERF BOARD	1	PC.
172			419103-3	KERF BOARD	1	PC.
173			140703-5	TURN BASE COMPLETE	1	PC.
		INC.	211376-2	LINEAR BALL BEARING 2560	2	PC.
		INC.	262077-5	FELT RING 25	4	PC.
		INC.	263005-3	RUBBER PIN 6	1	PC.
		INC.	344638-4	CAP 35	2	PC.
		INC.	891788-1	CAUTION LABEL	1	PC.
		INC.	817283-3	CAUTION LABEL	2	PC.
		INC.	891789-9	CAUTION LABEL	1	PC.
		INC.	816787-2	INDICATION LABEL	1	PC.
174			922111-0	HEX. SOCKET HEAD BOLT M4X10	1	PC.
175			153580-6	SQUARE ROD COMPLETE	1	PC.
		INC.	263005-3	RUBBER PIN 6	1	PC.
176			925251-3	HEX.BOLT M5X30	2	PC.
177			266034-5	TAPPING SCREW CT 4X16	2	PC.

Item No	Type	Ref	Part No	Description	Qty	Unit
178			344601-7	LOCK PLATE	1	PC.
179			317616-7	PIN HOLDER	1	PC.
180			256158-5	PIN 3	1	PC.
181			324288-1	LOCK PIN	1	PC.
182			231325-3	COMPRESSION SPRING 6	1	PC.
183			324289-9	ROD 6	1	PC.
184			416450-3	LOCK LEVER	1	PC.
185			345272-3	LOCK LEVER PLATE	1	PC.
186			266034-5	TAPPING SCREW CT 4X16	2	PC.
187			231418-6	COMPRESSION SPRING 9	1	PC.
188			253731-2	FLAT WASHER 8	1	PC.
189			266432-3	ADJUST BOLT M8X27	1	PC.
190			273658-0	GRIP 32	1	PC.
191			286212-1	CAP 20	5	PC.
192			921472-5	HEX. BOLT M8X50	1	PC.
193			251887-5	SCREW M6X10	2	PC.
194			140700-1	BASE COMPLETE	1	PC.
		INC.	816339-9	MITER SCALE PLATE	1	PC.
		INC.	810484-2	CAUTION LABEL	1	PC.
195			344646-5	SLIDE PLATE	1	PC.
196			344646-5	SLIDE PLATE	1	PC.
197			241873-4	FAN 55	1	PC.
C01			871497-8	CARTON	1	PC.
D01			654208-4	RECEPTACLE	1	PC.

ACCESSORIES

A01			122571-8	VICE ASS'Y	1	PC.
		INC.	316938-2	WISE ARM	1	PC.
		INC.	251887-5	SCREW M6X10	1	PC.
		INC.	322313-2	WISE ROD	1	PC.
		INC.	265733-6	THUMB SCREW M10X60	1	PC.
		INC.	253804-1	FLAT WASHER 6	1	PC.
		INC.	343651-9	WISE PLATE	1	PC.
		INC.	251370-2	+ PAN HEAD SCREW M5	1	PC.
A02			122852-0	DUST BAG ASS'Y	1	PC.
		INC.	410602-8	FASTENER	1	PC.
A03			762001-3	TRIANGULAR RULE	1	PC.
A04			322312-4	HOLDER	2	PC.
A05	1		782223-9	* SOCKET WRENCH	1	PC.
	2		783203-8	* HEX. WRENCH 5	1	PC.
A06			A-90912	7-1/2" NEGATIVE C.T.SAW BLADE 40T(5/8")	1	PC.
A07	1		DC18RA	CHARGER DC18RA	1	PC.
	2		DC18RC	CHARGER DC18RC	1	PC.
			DC18SD	CHARGER DC18SD	1	PC.
			DC18SE	18V AUTOMOTIVE CHARGER DC18SE	1	PC.
			DC24SC	CHARGER F/7.2-24V, 1.3-3.3AH BATTERY	1	PC.
			DC18RAKIT	CHARGER+BATTERY(DC18RA+BL1830)	1	SET
A08			194205-3	18V LI-ION BATTERY BL1830	1	PC.
			194230-4	18V LI-ION BATTERY BL1830, 2/PK	2	PK
			194288-3	18V LI-ION BATTERY BL1830, 10/PK	10	PK
A09			450128-8	BATTERY COVER	1	PC.

Item No	Type	Ref	Part No	Description	Qty	Unit
A10			122472-0	SET PLATE ASS'Y	1	PC.
	INC.		251887-5	SCREW M6X10	1	PC.
	INC.		345709-0	SET PLATE	1	PC.
A11			122567-9	VICE ASS'Y-HORIZONTAL	1	PC.
	INC.		253047-5	FLAT WASHER 6	1	PC.
	INC.		253744-3	FLAT WASHER 12	1	PC.
	INC.		271272-6	KNOB 45	1	PC.
	INC.		315891-9	WISE PLATE	1	PC.
	INC.		321490-7	RELEASE NUT R	1	PC.
	INC.		321491-5	RELEASE NUT L	1	PC.
	INC.		341911-3	PROTECTOR	2	PC.
	INC.		341912-1	NUT HOLDER	1	PC.
	INC.		342967-9	SET PLATE	1	PC.
	INC.		911216-1	PAN HEAD SCREW M5X14	1	PC.
	INC.		911317-5	PAN HEAD SCREW M6X14	1	PC.
	INC.		151201-4	WISE ARM COMPLETE	1	PC.
A12			192713-8	HOLDER ASS'Y	1	PC.
	INC.		251887-5	SCREW M6X10	2	PC.
	INC.		265917-6	ADJUST BOLT M8X42	2	PC.
A13			194061-1	BENCHTOP MITER SAW STAND (See Partsbreakdown 194061-1)	1	PC.
A14			194943-7	SLIDE MITRE STAND SET (See Partsbreakdown 194943-7)	1	PC.
A15			256812-1	EXTENSION ROD 12 (Use with A12)	1	PC.

SERVICE CHANGES

1. Changes on Socket Wrench, Wrench Holder (T/l# 93358)

Item No.	Description	Type 1	Type 2
A05	Socket Wrench / Hex Wrench	782223-9	783203-8
127	Wrench Holder / Cord Clamp	416536-3	687045-1

Above parts are completely interchangeable as a set.

